

Here at Manta5 we encourage all customers to do routine maintenance and checks on their Hydrofoilers.

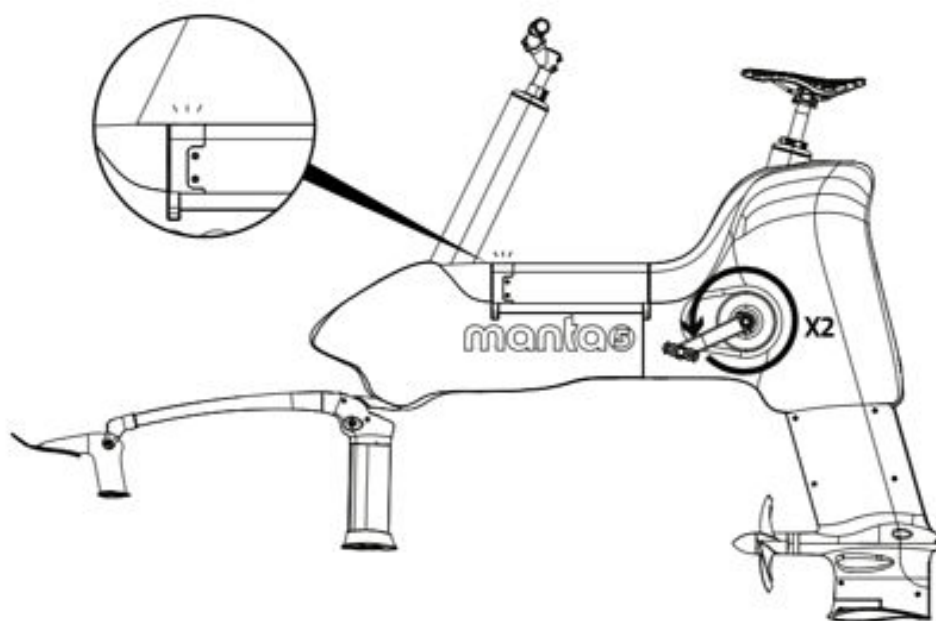
This is to ensure you get the longest life out of your product. Make sure that you're looking after your XE-1 in the best way possible.

### Pre-Ride Care

- Battery Inspection - Inspecting your battery housing for any damage or cracks is crucial. If this is compromised in any way, please contact [Support@manta5.com](mailto:Support@manta5.com) and cease all use of the battery.
- Function Check - Performing a function check is to ensure that when riding the pedal assist is activating.

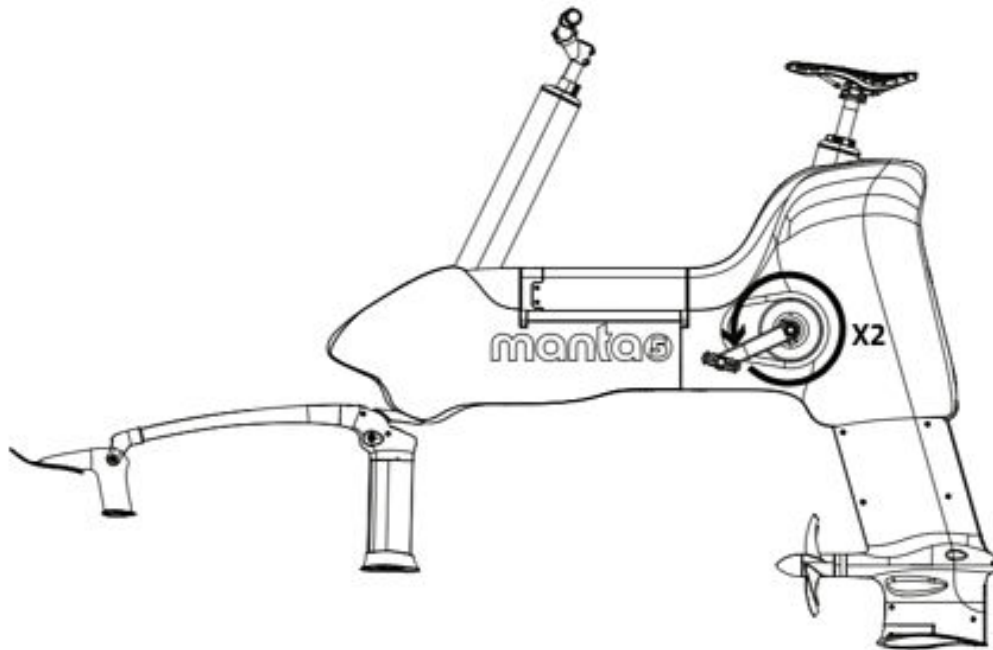
1. Place the Hydrofoiler XE-1 onto land with the battery connected and in place.

2. With the battery off, turn the pedals a full two rotations and feel the resistance as they turn.



3. Next, turn the battery on. Listen out for a loud beep and a solid ring of light around the button. [If your battery does not turn on, it is likely flat and needs to be charged.](#)

4. With the battery on, check the electrical assist is working by turning the pedals again. After your pedals turn 180 degrees the motor should engage, making the cranks easier to rotate, whilst the propeller spins faster.



5. If you cannot feel a difference between the resistance with the battery off and then on (ensuring that the battery is charged), work through steps 3/4.

Battery Firmware Update - Updating your battery firmware is important to the functionality of your battery. You can do this by downloading the Manta5 app and working through the prompts once your battery is on and connected through the app.

[Download on the App Store](#)

[Download on Google Play](#)

6. Check that there is no play or slop in the rear foil once shoe is secured to the bayonet. Your rear foil should be secured and not move up and down. If there is play, please contact Manta5.

### **Post-Ride Care**

- Wash Down - To ensure that you get the longest life out of your Hydrofoiler we recommend after each use (especially after riding in high salinity water) that you remove all buoyancy as well as the rear strut cowl in order to complete a thorough rinse of the product. Wash down all removed parts (buoyancy, rear strut cowl & foils). Once all parts are dried, reassemble and store.
- Chain Check - This includes checking, cleaning and lubricating the chain after use. Check the chain for any damage or abnormal wear (replace if required). Ensure the chain is dry and clean before

lubricating. Take any biodegradable/marine grease and apply this to each chain link. Remove any excess grease with a rag.

- Battery Check & Motor Cable Connector - Once again inspect your battery housing for any damage or cracks. If this is compromised in any way, please contact [Support@manta5.com](mailto:Support@manta5.com) and cease all use of the battery. After washing down your XE-1 make sure that there is no water sitting inside the motor connector.
- Propeller & Nose Cone - Please remove nose cone to clean and safely check and clean the propeller to ensure there is no damage to that area. *\*The propeller blades are sharp so please be mindful of this when maintaining this area of the bike.\**

If you would like to see a full walk-through of this post ride maintenance please watch our Bike Maintenance video below:

<https://youtu.be/adWT4FBi5Mo>